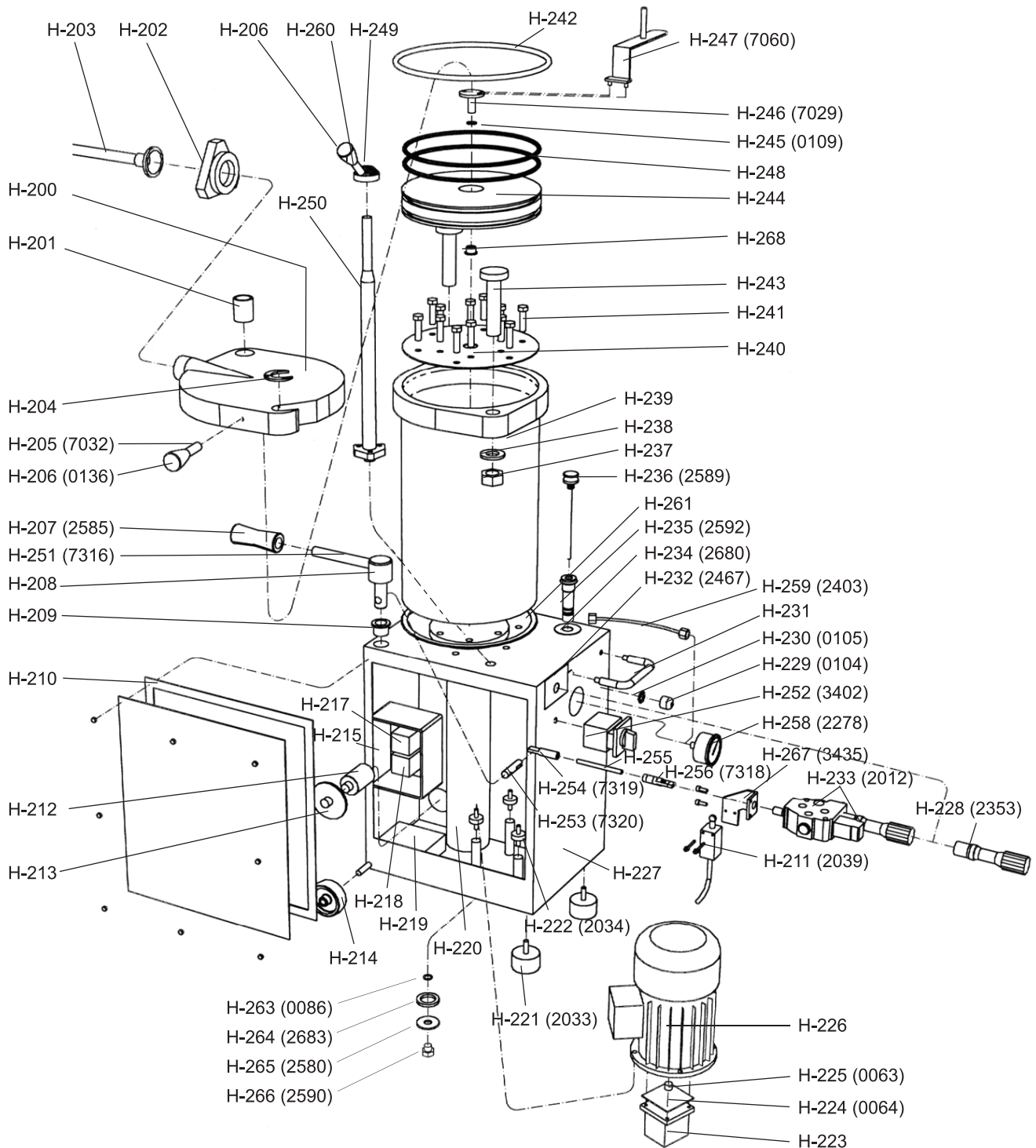


Parts Breakdown

Model SS-ES-0015-PAM 13744



Parts Breakdown

Model SS-ES-0015-PAM 13744

Item No.	Description	Position	Item No.	Description	Position	Item No.	Description	Position
36005	Aluminum Lid with Horseshoe without Accessories for 13744	H200	36028	Gear Pump for 13744	H223	36068	Piston Aluminum with Sleeve without O-Rings for 13744	H244
36111	White Plastic Bushing 38/20/41mm (Lid Economy) for 13744	H201	31221	Seal Vellumoid 1625-1 for 13744	H224	36064	O-Ring Int. Diam. 18.72/2.62 (Piston Lock H) for 13744	H245
36013	Bronze Bushing B11 A-30-38-40 (Aluminum Lid) for 13744	H201	31222	Motor-Pump Coupling for 13744	H225	16538	Piston Retaining Bolt-Screw Stainless Steel M14/1.5mm for 13744	H246
16542	Nozzle / Horn Retention Nut Open Model Aluminum for 13744	H202	36046	Motor 1-Phase 1/220V-60Hz-1.75HP-1 3KW-1700 Clockwise Rotation Capac.40 for 13744	H226	16543	Extracting Piston Wrench-Screw for 13744	H247
36034	Horseshoe INOX Stainless Steel Aluminum Lid only Economy for 13744	H204	76773	Machine Frame 110/60/1 for 13744	H227	16533	Transparent Piston O-Rings Int. Diam. 215/7mm for 13744	H248
36035	Horseshoe INOX Stainless Steel Aluminum Lid only P for 13744	H204	31219	External Pressure Valve Control Assembly M1670/861 Knob for 13744	H228	36061	Nut for Lid Lock Economy M20 D.55mm Stainless Steel for 13744	H249
16539	Lid Opening Lever NH with Knob Green for 13744	H205	36030	Grommet S-TEC 5308119 Grey PG11 Polyamide IP68 (H/MIX) for 13744	H229	36098	Side Bar Meat Barrel for 13744	H250
16517	Knob PM LISO Green M10 Cod. 470743102 for 13744	H206	36044	Metal Grommet Nut PG11 (H/MIX) for 13744	H230	19237	Horizontal Knee Lever Shaft/Bar Stainless Steel without Green Rubber Sleeve (NH) for 13744	H251
19238	Green Rubber Sleeve for Knee Lever for 13744	H207	36031	Handle Green M8 Cod. 470514302 (H Mixer Head) 12/01 for 13744	H231	36100	Switch 3-Phase 20A 0-1 A 90° (from 11/01) for 13744	H252
16549	Vertical Shaft Knee Lever from 02/00 89mm Horizontal M for 13744	H208	36074	Plate Pressure Control Panel H Lexan Green for 13744	H232	16548	Internal Fork Knee Lever Stainless Steel for 13744	H253
16550	Vertical Shaft Knee Lever from 02/00 Long 97mm for 13744	H208	16522	Hydraulic Control 102N1SA221-TA4 with Pressure Knob from 1997 for 13744	H233	16547	Internal Fork Knee Lever Activator Stainless Steel for 13744	H254
16551	Bronze Bushing B11 B-25-32-25/40-4 with Collar (Knee Lever) for 13744	H209	36022	Circular Sticker D.70mm Aceite/Oil Filling Cap NH Lexan for 13744	H234	36101	Threaded Galvanized Rod Fitted M8mm Knee Lever 90mm for 13744	H255
19239	Bronze Bushing B11 B-25-32-30/40-4 with Collar (Knee Lever) for 13744	H209	16527	Green Plastic Tube Filling Hole to Oil Reservoir no Cap no Dip-Stick for 13744	H235	19415	Internal Fork Hydraulic Control Activator Stainless Steel for 13744	H256
36093	Seal for Access Panel 377/427mm Green Rubber for 13744	H210	16526	Oil Filling Cap Green Plastic with Dip-Stick for 13744	H236	16525	Pressure Gauge D.63 Ref. MGS10/3/B 0-160 Bar Thread 1-4 for 13744	H258
16524	Micro Position Detector Compi Metal Wheel (H/MIX/1997) for 13744	H211	36080	Stainless Steel Hexagonal Nut M22 DIN934 (Clamp) for 13744	H237	36036	Hose for Pressure Gauge 1/4 Length 260mm for 13744	H259
16523	Oil Inlet Filter 2FA5R125N to 5L/M Thread 3/8 (New 1/1999) for 13744	H212	36107	Washer Stainless Steel Straight D.23-M22 DIN125 (Flange) for 13744	H238	36043	Lid Nut Locking Lever H Economy without Knob Green M10-M12 for 13744	H260
23808	Circular Lid for Barrel Oil Filter without O-Ring without Filter Bichromat for 13744	H213	36023	Fixed Meat Barrel CE97 for 13744	H239	36018	Circular Seal for Barrel Bottom D.Ext 240mm Green Rubber for 13744	H261
31200	Wheel D.80mm (Small/Medium H/MIX/1998) Green Nylon for 13744	H214	36075	Removable Meat Barrel for 13744	H239	36106	Washer Metaloplastic Hydraulic 3/8 for 13744	H263
36042	Isolating Box Legrand 100/100/55mm Code 92138 for 13744	H215	36008	Barrel Disk D.233/1mm Stainless Steel for 13744	H240	23809	Washer Straight Black Rubber D.50/D.34/4 (Oil Drain Cap NH) for 13744	H264
79579	Contacto, LS MC-22B AC 110V/60&50Hz 1A1B Exp A.C. 22 Amp for 13744	H217	36032	Hood Clamp Hydraulic Cylinder D.149/1mm Stainless Steel for 13744	H240	23810	Washer Stainless Steel Straight Special M16 DIN9021 D.17/D.50/3 Oil Drain Cap NH for 13744	H265
39059	Air Extraction Fan 220V 1Ph for 13744	H219	31223	Stainless Steel Hexagonal Screw M12/50 DIN933 (Barrel NMIX150/200/275) for 13744	H241	36062	Oil Drain Cap Metal ATME Thread 3/8 BSP Bichromated for 13744	H266
36038	Hydraulic Cylinder DE0320650342G01 for 13744	H220	16530	Lid Seals Silicone Green Ext. Diam. 261mm for 13744	H242	36037	Hydraulic Control Micro Switch Holder from 02/02 for 13744	H267
27879	Rubber Cylindrical Foot TS-60-49 Green for 13744	H221	36067	Green Lid Seals Rectangular Econ Remov Barrel Ext.D.261 for 13744	H242	21584	Ring Threaded M16/2mm Stainless Steel Piston Aluminum for 13744	H268
19253	Rubber Cylindrical Foot T-30-10 Black (Antivibration for Motor NH) for 13744	H222	36077	Stainless Steel Bolt M22 Aluminum Lid for 13744	H243			